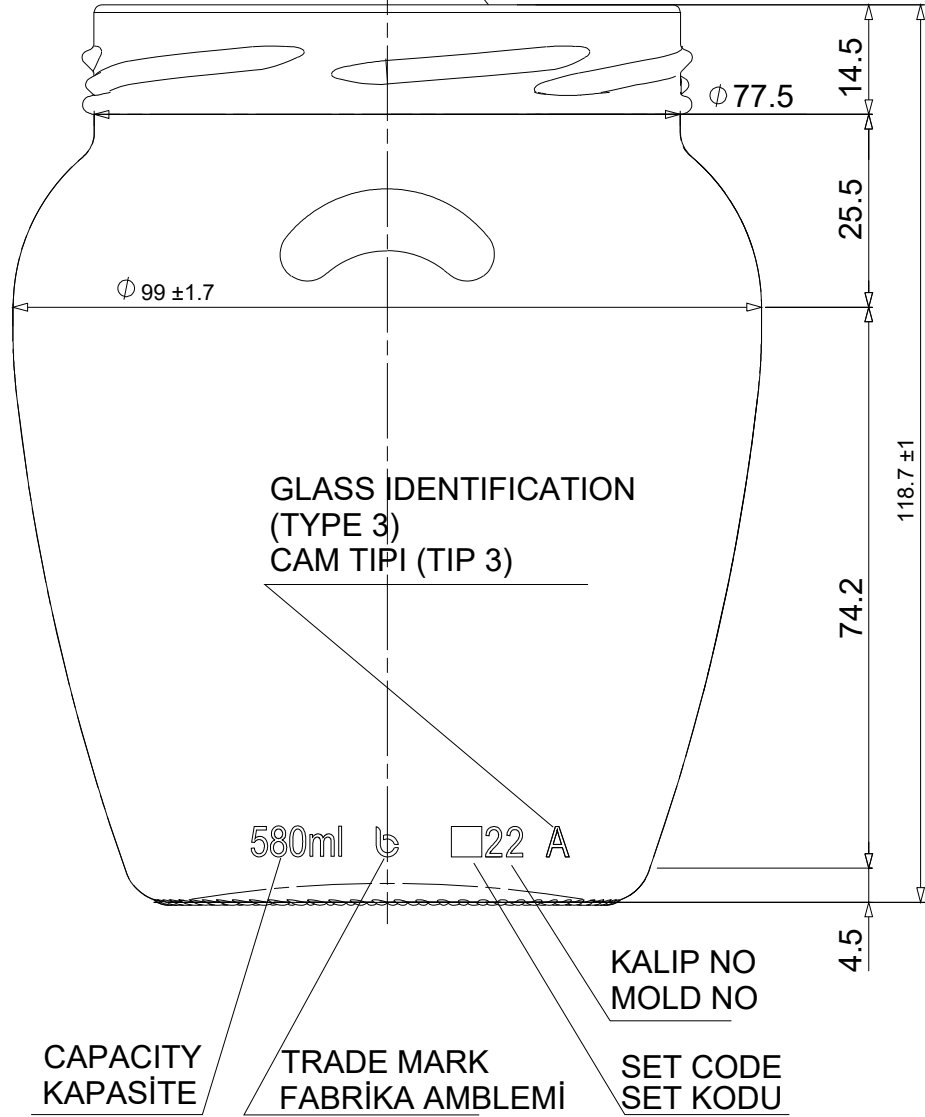


WGF-130S-FD130-082



R1	-	-	-	-
REV	ACIKLAMA REMARK	TARİH DATE	CIZEN MADE BY	KONTROL CHECKED BY
DEĞİŞİKLİKLER / REVISIONS				
CIZEN DRAWN BY	-	KAFA STD FINISH	WGF-130S-FD130-082	
KONTROL CHECKED BY	-	DOLUM HACMI FILLING CAP (cc)	SİLME HACMI BRIMFULL CAP (cc)	580±10
ONAYLAYAN CONFIRMED BY	-	AĞIRLIK WEIGHT (gr)	C K (TEORİK) W T (THEORET) (mm)	~ -
TARİH DATE	01-06-2020	RENK COLOR	DENGE ACISI E. ANGLE (°)	~ -
ÖLÇEK SCALE	-	580 CC VASO ORCIO JAR		
Bu tasarım BASTURK CAM SANAYİ tarafından gerçekleştirilmiş olup bütün hakları müşteriye devredilinceye kadar şirketimize aittir. This design has been realized by BASTURK GLASS INDUSTRY and all rights belong to our company until the customer is transferred.		REFERANS REFERENCE	URUN NO PRODUCT NO	GECİCİ KOD TEMP CODE
		-	K58004T1R0	-